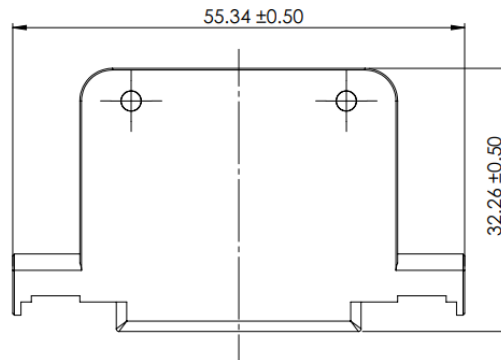


## EC-BS-17TE-CAD

### Features

- Multiple entry size
- Available for all EC-BS shells size 17 pin
- Type of Backshell: Straight 180 degree
- Aluminum alloy shell finish with chromate or nickel plating
- Temperature: -10 to 85°C

### Mechanical drawing



### Ordering Information

